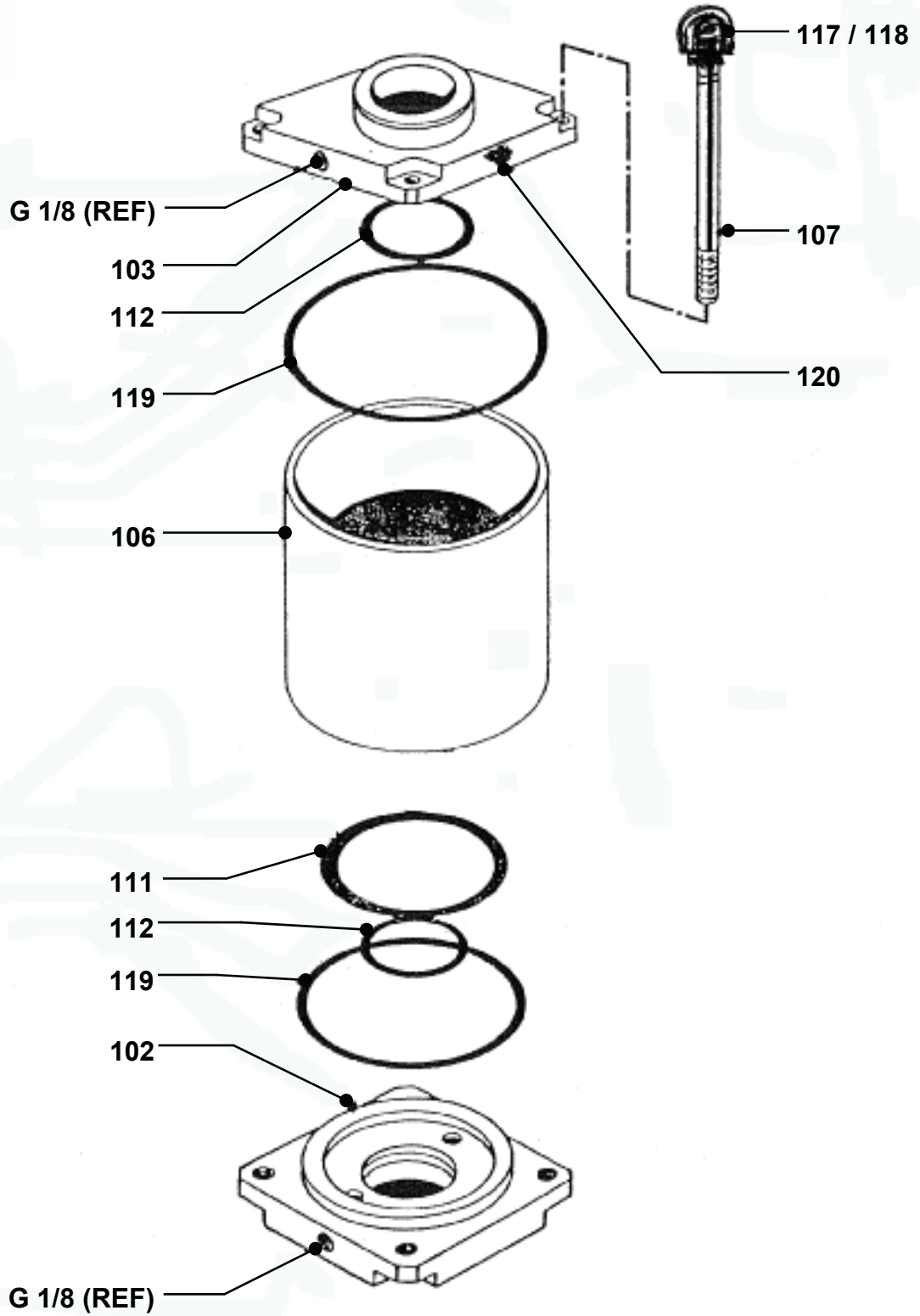




MV12VP Cylinder Drawing





MV12VP Replacement Parts List

ITEM #	ITEM DESCRIPTION
02	Central Cylinder Rod & Piston
03	Bushing Return Spring
04	Ball Bearing Retaining Bushing
05	Hammer Guide Sleeve
06	Ball Bearings (3 required)
07	Hammer Reset Spring
09	Hammer
10	Impact Spring (Blue) Standard Force
10A	Impact Spring (Red) Higher Force (OPTIONAL)
11	Impact Spring Adjusting Screw
12	Adjustment Screw Bushing
15	Adjustment Screw Locknut
19	Tool Holder with collet 6mm i.d.
19A	Tool Holder with Split Sleeve 6mm i.d.
21/91	Tool Holder Locknut and Tool Holder anti rotation key
23	Tool Holder Collet or Split Sleeve Lock Nut
24/25	Piston Guide Key and Screw
63	Bushing Lock Nut
100	Impact Spring Black Tube Sleeve
102	Lower Cylinder Flange
103	Upper Cylinder Flange
106	Cylinder Sleeve
107	Cylinder Tie Rod (4 required)
109	External Sleeve with Key Slot
110	Spacer/Washer
111	Piston Seal
112	Central Rod Seal (2 required)
117/118	Cylinder Tie Rod Locknut, Washer, Acorn Nut
119	Cylinder Flange Seal (2 required)
120	External Sleeve retaining Set Screw (3 required)

8/1/2007

Note: When ordering Replacement Parts see Example Below

Quantity	Description and Item Number
2	MV12VP Serial 0012 056 30mm stroke Item 09 Hammer

Phone: 800-837-9270 Web: .mbmetaltech.com