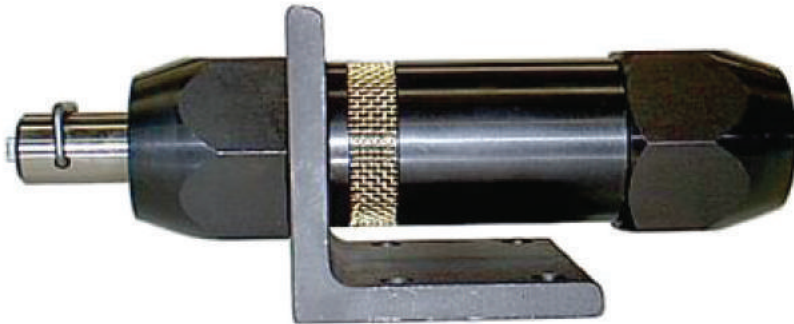


8800 Single Acting Air Impact Marker



ARGON'S Model 8800 Single Acting 3 Ton Air Impact Marker was designed with a built-in stamp retainer in the rod end. The efficient / dependable marker is ideal for shift, plant, and ID codes as well as other applications. The marker has a keyed non-rotating shaft to insure proper location of mark.

Recommended operating air pressure is 20-90 PSI. 3/8" ID minimum air hose should be used. When used in an automatic operation, we suggest a 3/8", 3-way or 4-way solenoid air valve. Piston rod has spring return.

Two Rod Styles Available

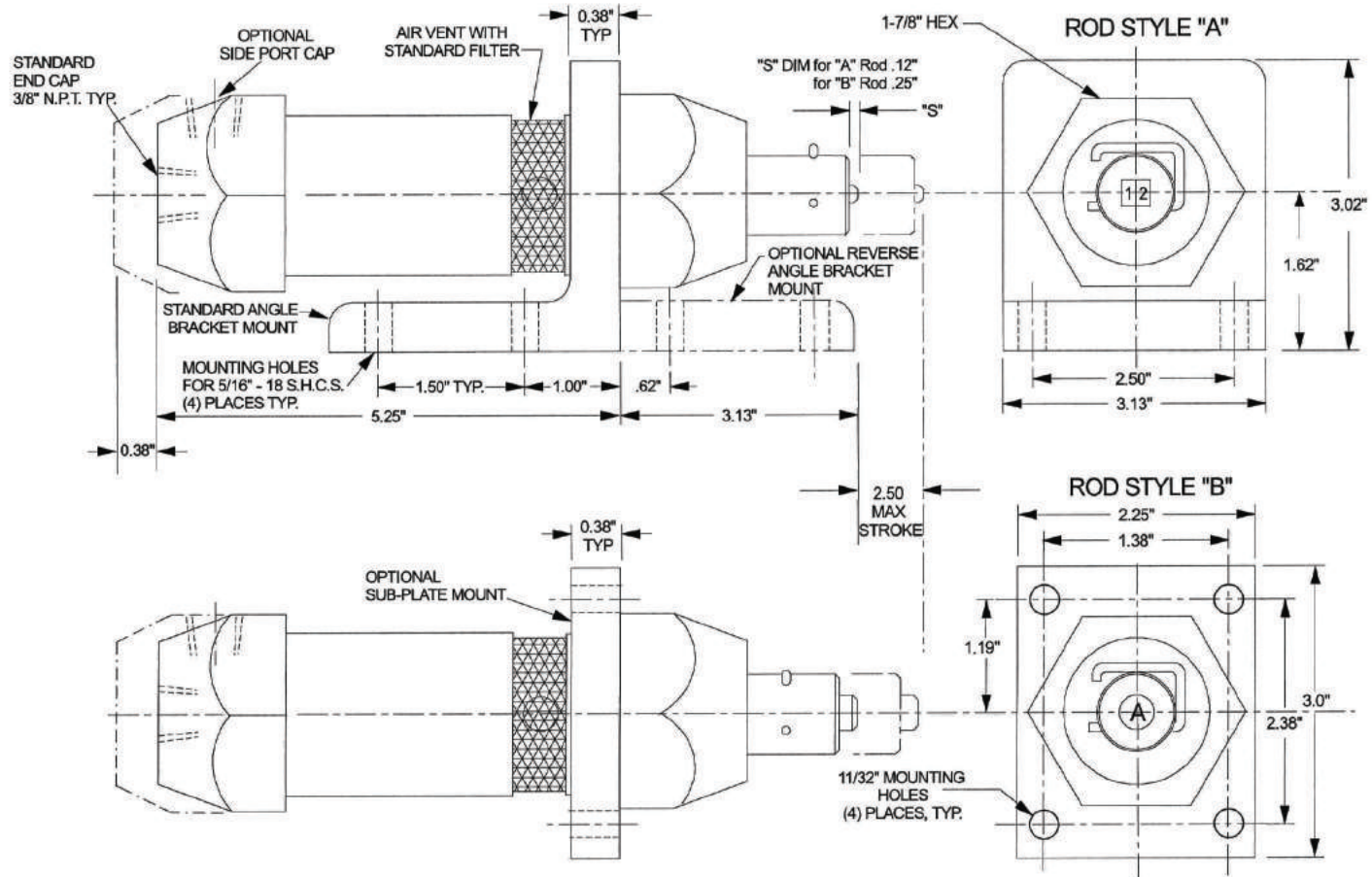


ROD STYLE "A" Accepts:
2pcs. 1/8" Character G-13 style Stamp
4pcs. 1/16" Character G-06 style Stamp



ROD STYLE "B" Accepts:
1 piece of the 8x style Stamp
Character Height up to 1/4"





ARGON TOOL & MFG. CO.

MOUNTING DIMENSIONS FOR
MODEL 8800 AIR IMPACT MARKER